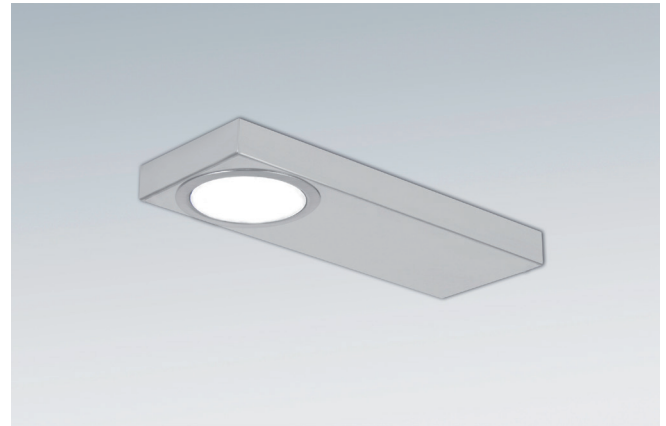


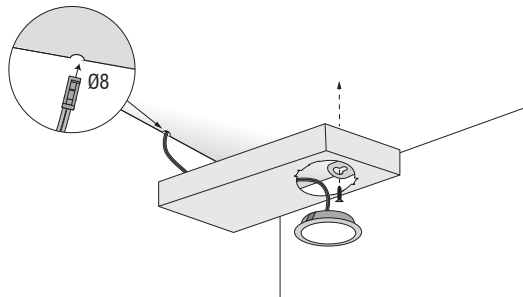
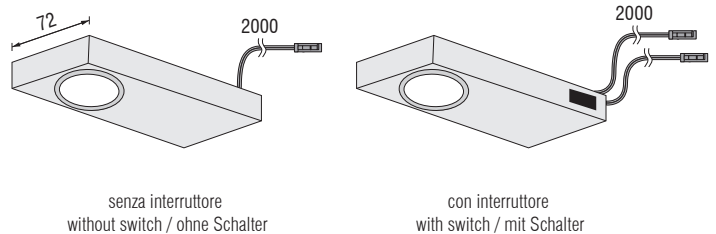
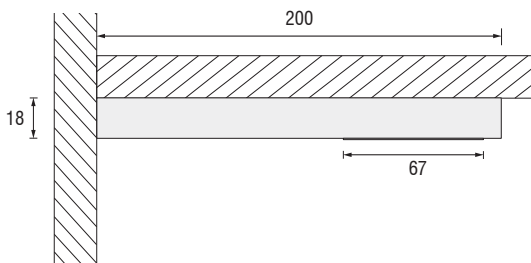
Quadra Long SUN

LED 350mA - 3,5W

- ☐ **Faretto per libera installazione** - Corpo in acciaio, schermo in policarbonato; con / senza interruttore.
- ☐ **Spotlight for surface mounting** - Steel structure, polycarbonate screen; with / without switch.
- ☐ **Anbaustrahler** - Edelstahl-Gehäuse, Abdeckung aus Polykarbonat; mit / ohne Schalter.



118-140 lm/W PHOTOBIOLOGICAL CLASS 0 CRI=85
 CE ENEC IP20



Accensione Switching system - Schaltsystem	3000 K		4000 K		Imballo - Packaging - Verpackung		
	Codice - Part no. - Artikel-Nr.	EEC	Codice - Part no. - Artikel-Nr.	EEC	Pcs	Kg	mm
senza interruttore without switch / ohne Schalter	1737000A	A++	1737100A	A++	1	0,240	45 x 140 x 215
con interruttore with switch / mit Schalter	1737001A	A++	1737101A	A++	1	0,260	45 x 140 x 215

QUADRA SUN LED 350mA - 3,5W		LUX 3000K 4000K
mm	108°	
250	Ø 1000	1500 1600
500	Ø 2000	380 410
750	Ø 3100	180 170
1000	Ø 4100	100 100

Dimensioni in millimetri (mm) / Dimensions in Millimeters (mm) / Dimensionen in Millimetern (mm)
 Alimentatore non incluso / Driver not included / LED-Konverter nicht inbegriffen

