

FR 791 SCC

SLIDE TYPE:	Full-Extension Drawer Slide - Progressive-Action
MOUNTING:	Bottom Mount

WIDTH:	18 mm
LOAD CAPACITY:	dynamic up to 68 kg (full-ext.) dynamic up to 53 kg (over-ext.)



MATERIAL:	stainless steel 1.4509 (SCC)
------------------	------------------------------

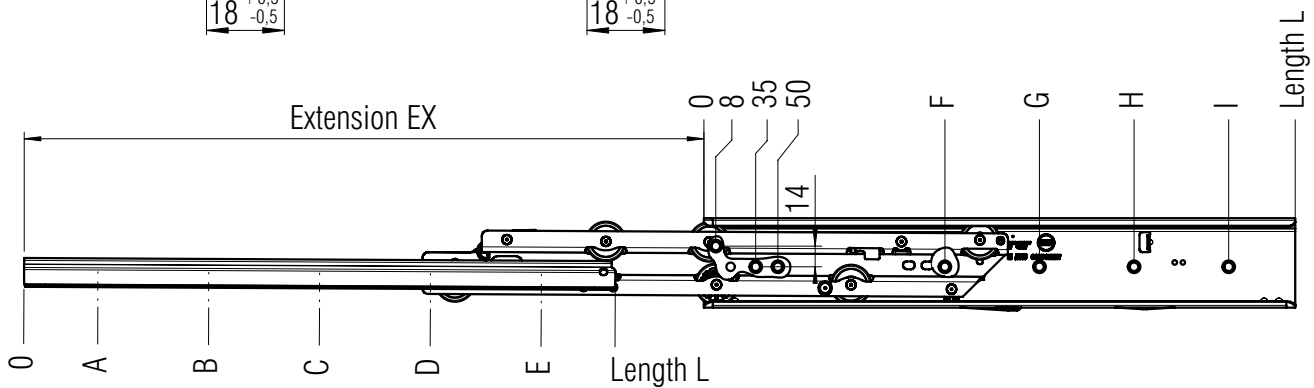
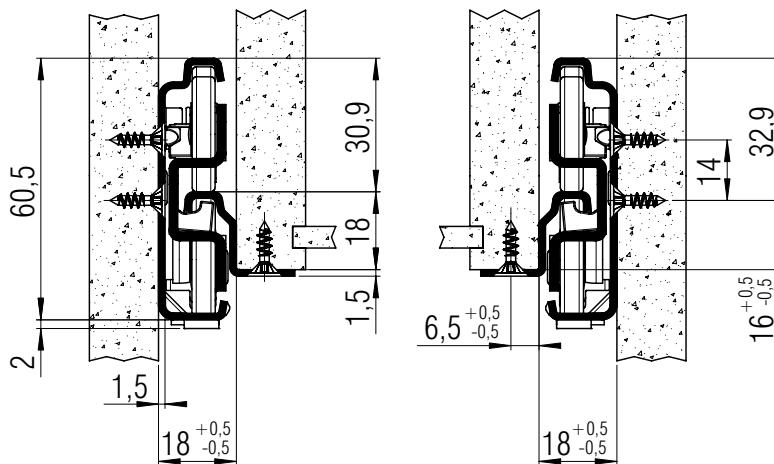
FEATURES:	solid delrin* rollers
------------------	-----------------------

SPECIFICATIONS & NOTES:

- ▶ cabinet and drawer profile with screw holes
- ▶ high lateral stability through specially formed middle profile (material thickness 2 mm) and guide rollers
- ▶ ideal running characteristic and smoothness of running through integrated progressive-action
- ▶ safety clip mounted in middle profile
- ▶ double-sided captive profile
- ▶ self closing, soft stop

- ① also available with 60 mm over-extension
- ② on request, also available as heat resistant model (up to 110° C) – load capacity 45 kg (full-ext.), 35 kg (over-ext.)

*DuPont (TM) Delrin®



screw holes for 3,5 mm spax screws

L mm	EX full-ext.	EX over-ext.	A mm	B mm	C mm	D mm	E mm	F mm	G mm	H mm	I mm	Weight per pair (kg)	Order No. full-ext.	Order No. over-ext.
350	335	410	28	156	316			163	291			*	*	*
400	385	460	28	156	380			163	355			2,06	▶ 7941	*
450	435	510	28	156	316	412		163	355			2,31	▶ 7942	*
500	485	560	28	156	348	476		163	355	451		2,56	▶ 7943	*
550	535	610	28	156	348	508		163	355	483		2,82	▶ 7944	▶ 81413
600	585	660	28	156	348	572		195	355	547		3,07	▶ 7945	*
650	635	710	28	156	348	604		163	355	547		3,33	▶ 7946	*
700	685	760	28	156	348	540	668	163	355	547	643	3,58	▶ 7947	*
750	735	810	28	156	348	572	732	163	355	547	643	*	*	*

Packing Unit: 5 sets per box

▶ prompt delivery * on request