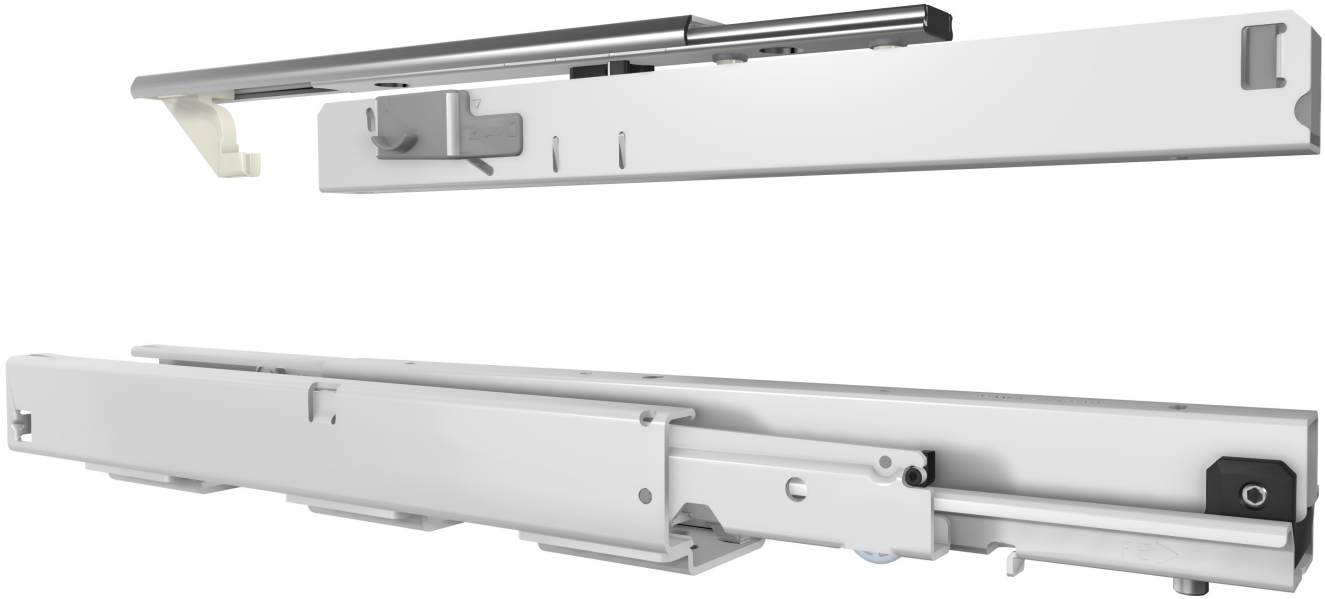


FR 775-A

SLIDE TYPE:	Progressive action full-extension pantry pull out slide with top slide
MOUNTING:	Bottom Mount

WIDTH:	min. 88,5 mm
LOAD CAPACITY:	dynamic up to 75 kg

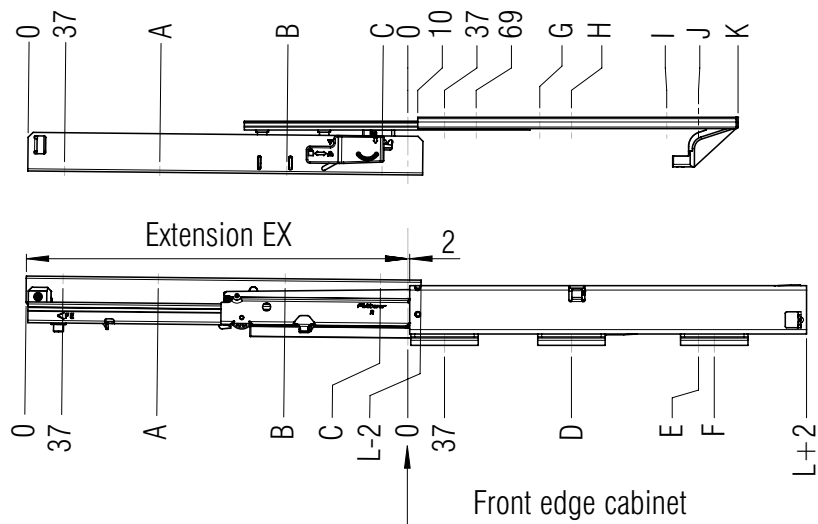
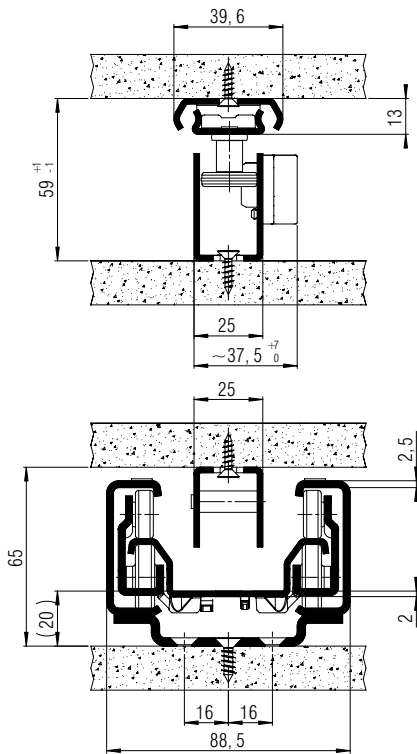


MATERIAL:	steel, powder coated
------------------	----------------------

FEATURES:	delrin*- encased steel ball bearings
------------------	--------------------------------------

SPECIFICATIONS & NOTES:
<ul style="list-style-type: none"> ▶ quick and easy installation through patented system ▶ optimum and quiet movement ▶ integrated lateral and height adjustment ▶ top slide for absolute lateral stability ▶ ECD Easy Close Device (ECD) integrated (top and bottom slide)
<ul style="list-style-type: none"> Ⓢ Do not lubricate the slide anywhere! Ⓢ Recommended maximal cabinet height: 1500mm

*DuPont (TM) Delrin®



screw holes for 4,0 mm and 5,0 mm spax screws

L mm	EX mm	A mm	B mm	C mm	D mm	E mm	F mm	G mm	H mm	I mm	J mm	K mm	Weight per set (kg)	Order No. white
400	385	133	261	357		293		133	165	261		333	4,9	▶ 4201
450	435	133	261	421			357	133	165	261		333	5,4	▶ 4202
500	485	165	325	453			389	197	229	293	357	429	6,1	▶ 4203
550	535	197	357	517			453	197	229	293	357	429	6,6	▶ 4204
600	585	197	389	549	229		485	197	229	293	357	429	7,3	▶ 4205
650	635	229	421	613	261		549	197	229	293	357	429	7,9	▶ 4206
700	685	261	485	645	293		581	197	229	293	357	429	8,2	▶ 4207
750	735	261	485	709	325		645	197	229	293	357	429	8,7	▶ 4208

Packing Unit: 1 set per box

▶ prompt delivery